

# Hungary

## EPR Fact Sheet



### Decision making

At central level, the Disaster Management Interministerial Coordination Committee (DMCC) is responsible for decision making in case of nuclear/radiological emergency situations. The DMCC consists of appointed representatives of the ministries. The head of the DMCC is the Minister of Interior. At the regional level, there are 19 County Defense Committees (CDC), according to the 19 administrative counties, plus the Budapest Defense Committee. At the local level, the local governments (the mayors) have the responsibility for local disaster management.

### Advice

DMCC's National Emergency Response Centre (DMCC NERC) is the professional decision support organ, which is giving advises for DMCC. For the support of the decision making process of DMCC NERC, it operates the Nuclear Emergency Response Working Committee (DMCC NERWC). DMCC NERWC uses the analysis results of the Hungarian Atomic Energy Authority (HAEA) and the Nuclear Emergency Information and Analysis Centre (NEIAC) of the National Directorate General for Disaster Management (NDGDM).

### Licensee

All licensees are responsible to initiate notification to authorities for radioprotection, nuclear safety and disaster management in case of an emergency. Also, the licensee should be prepared to handle the local emergency situations, i.e. should prepare proper emergency plans, make provisions to have enough and appropriate local resources, etc.

### Alarming

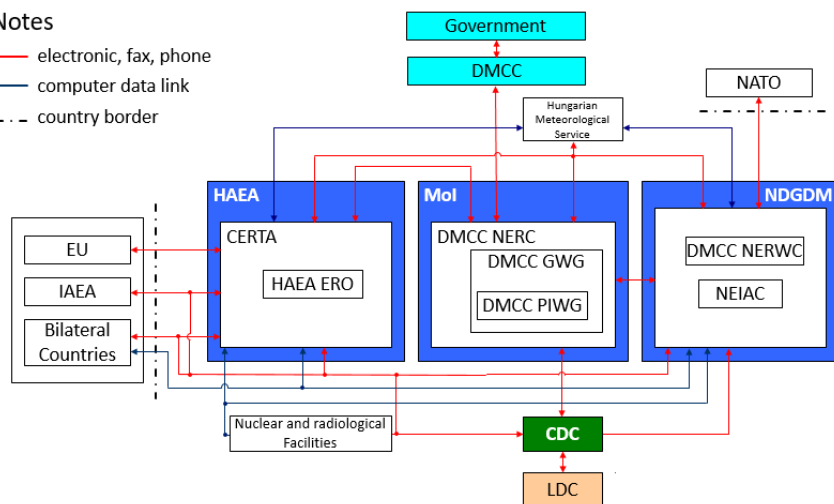
In case of a domestic emergency event, both HAEA and NDGDM are designated points of notifications. The alarm process is conducted by the NDGDM. The activation time for full response mode is 4 hours during the official working hours and 8 hours beyond the official working hours.

In case of events with potential or real international consequences, HAEA is responsible for both sending and receiving official notifications at international level.

### Organizational structure

#### Notes

- electronic, fax, phone
- computer data link
- - - country border



### Country info

Capital	Budapest
Official language	Hungarian
Population	9,89 M
Area	93,028 km <sup>2</sup>
Currency	Forint (HUF)
Time zone	GMT + 1
Calling code	36
Internet TLD	.hu
NPPs /ele. share	1/ 36,2%

### NWP\*

National Directorate General for Disaster Management  
Tel: (36-1) 469-4349  
Fax: (36-1) 469-4300  
E-mail: okf.fougyelet@katved.gov.hu

### NCA\*

Hungarian Atomic Energy Authority  
phone: +36-1-4364-930  
e-mail: certa@haea.gov.hu  
Fax: +36-1-453-0886

### Emergency website

<http://www.haea.gov.hu>

### Online measurements

[http://www.katasztrofavedelem.hu/index2.php?pageid=monitor\\_nbiek\\_index](http://www.katasztrofavedelem.hu/index2.php?pageid=monitor_nbiek_index)

### Bilateral agreements

Austria, Slovakia, Ukraine, Romania, Croatia, Slovenia, Germany, Czech Republic, Serbia

### RANET capabilities

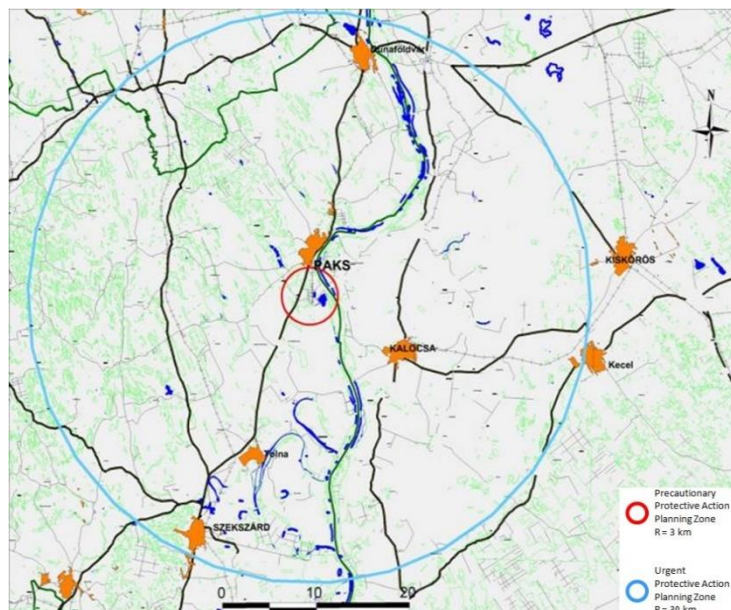
- NAC#2: Radiation monitoring
- NAC#3: Environmental measurements
- NAC#5: Assessment and advice
- NAC#7: Public health protection
- NAC#8: Biodosimetry
- NAC#9: Internal dose assessment
- NAC#10: Bioassay

## Nuclear facilities\* and population

NPP	Type	MW <sub>e</sub>	GPS coordinates	1 km pop.	3 km pop.	30 km pop.	Comments	
NPP Paks	Unit 1	PWR	500	46,574N 18,853E	0	148	201 202	EPC-I
NPP Paks	Unit 2	PWR	500	46,574N 18,853E	0	148	201 202	EPC-I
NPP Paks	Unit 3	PWR	500	46,574N 18,853E	0	148	201 202	EPC-I
NPP Paks	Unit 4	PWR	500	46,574N 18,853E	0	148	201 202	EPC-I
Interim Storage of Spent Fuel Paks	n/a	n/a	46,570N 18,851E	0	148	201 202	EPC-II	

\*The IAEA emergency preparedness category 1 and other relevant facilities

## Planning zones



## Emergency classification

### General Emergency

Upon declaration of a General Emergency, the consequences shall be immediately mitigated, the actions required for protecting the people staying in the designated protective action zone shall be immediately implemented.

### Local Emergency

Upon declaration of Local Emergency, immediate actions shall be taken for the mitigation of the consequences, protection of the persons staying in the vicinity, and preparation should be made for the implementation of the necessary public protective actions.

### Facility Emergency

Upon declaration of this class of emergency, actions shall be promptly taken to mitigate the consequences and to protect people on the site. Emergencies in this class can never give rise to an off-site threat.

### Alerts

Upon declaration of this class of emergency, actions shall be promptly taken to assess and mitigate the consequences and to increase the readiness of the on-site and off-site response organizations, as appropriate.

## Protection strategy

The protection strategy is based on range of reference levels, which are in Decree of Government No. 487/2015 Korm. The NERP contains reference levels, generic criteria and OILs. The reference levels for emergencies of emergency preparedness category 1 and 2, inside urgent protective action planning zone (UPZ) in the first 7 days are 100 mSv acute or annual effective dose, while in any other cases the reference levels are 20 mSv/y.

The county Defence Committees around the Paks Nuclear Power Plant have elaborated the evacuation and acceptance plans. These plans include a two-step evacuation. Those living within the 9 km radius around the nuclear power plant are evacuated in the first step, while those living in the radius of 9-30 km around the nuclear power plant are evacuated in the second step, if appropriate. Around the Paks NPP (30 km radius) the iodine tablets required for the first two days are stored in the mayors' offices.

## Criteria

Generic Criteria [projected dose]		Typical OILs	Levels for optimization [averted dose]
EPC 1&2, UPZ, first 7 days	100 mSv eff. dose	Dose rate at 1 m	Thyroid blocking: 50 mSv
	50 mSv for thyroid	Dose rate on the skin	Sheltering: 10 mSv within 2 days
EPC 1&2, UPZ, after 7 days	20 mSv/year	Dose rate above thyroid	Evacuation: 50 mSv within 7 days
EPC 1&2, outside UPZ		Activity concentration in foodstuff, milk and water	Temporary relocation: 30 mSv/week, 100 mSv/year
EPC 3,4,5			